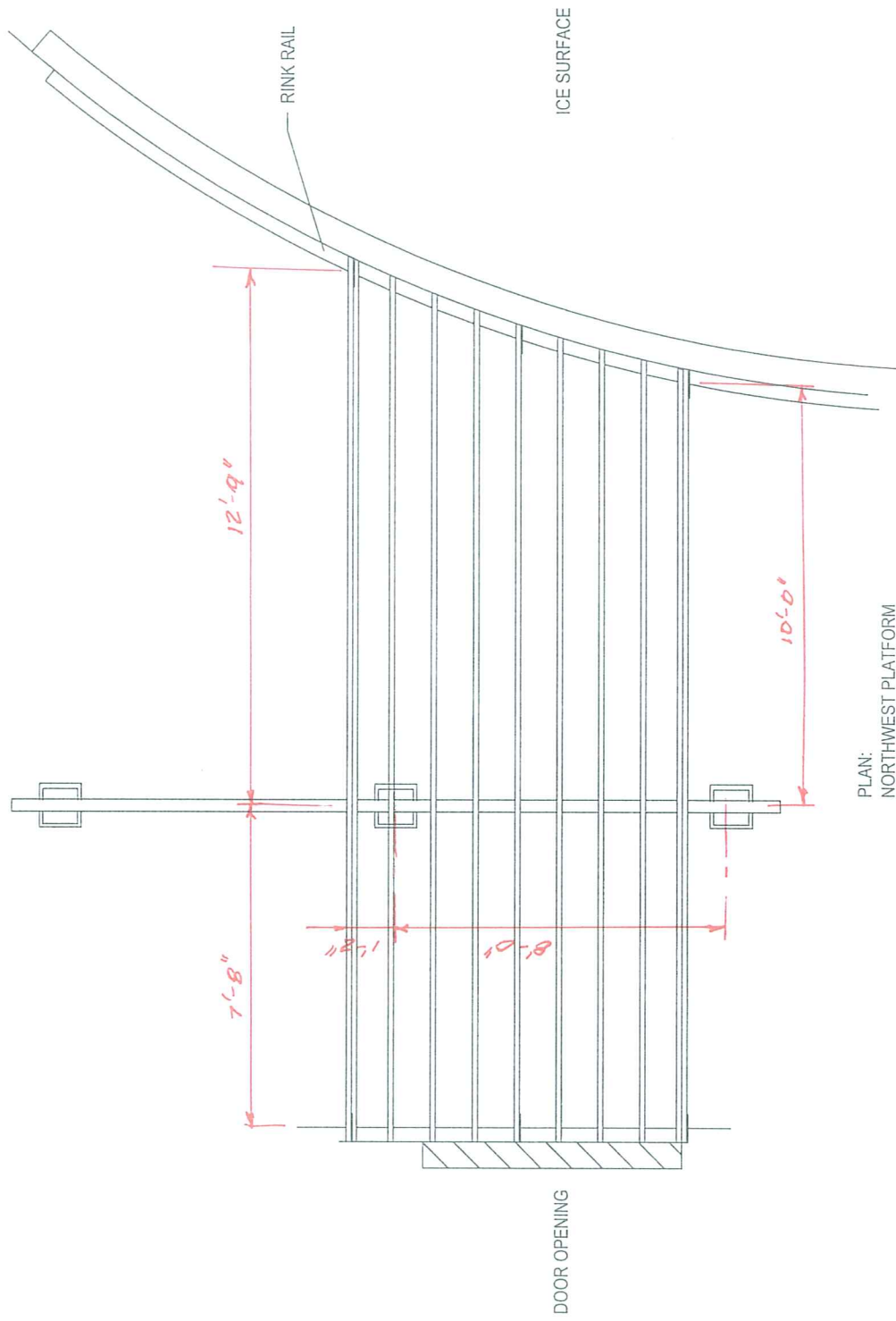


NOTE:
 2X8 DIMENSION LUMBER WILL BE
 TRIMMED TO LEVEL PLATFORM
 ABOVE UNEVEN GRADE.

A SECTION A:
 SOUTHEAST ENTRANCE

12/19/10

SCALE: 1" = 1'-0"



SCALE: $3/8'' = 1'-0''$